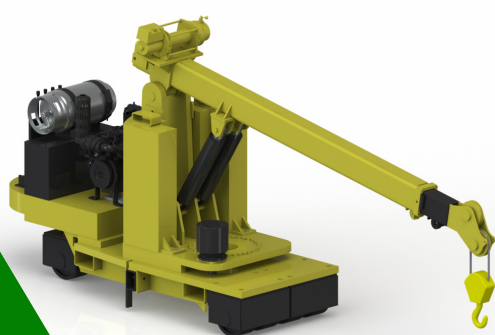




7.5 Ton WALK BEHIND CRANE

by
LIFT SYSTEMS, INC.



Global Leaders in Specialized Lifting Equipment!

CAPACITY OVER FRONT OF MACHINE (lbs.)

OPERATING RADIUS		HYDRAULIC SECTION		MANUAL SECTION		JIB SECTION
CENTRE OF ROTATION	FRONT OF MACHINE	Retracted	Extended	Retracted	Extended	Extended
		10.92'	15.92'	18.92'	19.92'	
3'	9"	15,000	11,000	10,750	8,835	
4'	1'9"	13,200	9,975	9,400	7,695	6,925
5'	2'9"	10,600	9,600	8,265	6,840	6,160
6'	3'9"	9,500	8,500	7,310	6,080	5,475
7'	4'9"	8,450	7,700	6,650	5,510	4,960
8'	5'9"	7,200	7,000	5,985	5,035	4,530
9'	6'9"	6,270	6,270	5,500	4,655	4,190
10'	7'9"		5,580	5,130	4,370	3,935
11'	8'9"		5,035	4,750	4,085	3,675
12'	9'9"		4,585	4,465	3,800	3,420
13'	10'9"		4,225	4,180	3,610	3,250
14'	11'9"		3,925	3,895	3,325	3,000
15'	12'9"			3,655	3,230	2,950
16'	13'9"			3,440	3,040	2,890
17'	14'9"			3,250	2,945	2,800
18'	15'9"				2,850	2,755
19'	16'9"					2,565
20'	17'9"					2,340
21'	18'9"					2,250

1) Capacities over front and side are pick & carry
 2) Capacities over front and side are 85% of tipping
 3) Capacities above bold line are limited by structural
 4) Outriggers must be fully extended and lowered when rotating boom
 5) User must deduct all loads on cable including the hook block (70 lbs.), rigging, etc.

**CAPACITY OVER SIDE OF MACHINE - 90° (lbs.)
(OUTRIGGERS REQUIRED)**

OPERATING RADIUS		HYDRAULIC SECTION		MANUAL SECTION		JIB SECTION
CENTRE OF ROTATION	FRONT OF MACHINE	Retracted	Extended	Retracted	Extended	Extended
		10.92'	15.92'	18.92'	19.92'	
3'	5"	15,000	11,000	10,750	8,835	
4'	1'5"	13,200	9,975	9,400	7,695	6,925
5'	2'5"	10,600	9,600	8,265	6,840	6,160
6'	3'5"	8,820	8,500	7,310	6,080	5,475
7'	4'5"	7,030	7,030	6,650	5,510	4,960
8'	5'5"	5,520	5,250	5,250	5,035	4,530
9'	6'5"	4,950	4,950	4,950	4,655	4,650
10'	7'5"		4,275	4,275	4,275	4,275
11'	8'5"		3,765	3,765	3,765	3,765
12'	9'5"		3,350	3,350	3,350	3,350
13'	10'5"		3,000	3,000	3,000	3,000
14'	11'5"		2,720	2,720	2,720	2,720
15'	12'5"			2,480	2,480	2,480
16'	13'5"			2,270	2,270	2,270
17'	14'5"			2,090	2,090	2,090
18'	15'5"				1,925	1,925
19'	16'5"					1,795
20'	17'5"					1,585
21'	18'5"					1,485

1) Capacities over front and side are pick & carry
 2) Capacities over front and side are 85% of tipping
 3) Capacities above bold line are limited by structural
 4) Outriggers must be fully extended and lowered when rotating boom
 5) User must deduct all loads on cable including the hook block (70 lbs.), rigging, etc.



7.5 Ton WALK BEHIND CRANE

by
LIFT SYSTEMS, INC.

STANDARD EQUIPMENT

ENGINE:

Kubota, 3 cylinder, 17 hp, water cooled, propane engine

PUMP:

Gear Pump rated at 7.56 GPM @ 2,000 PSI

CONTROLS:

Separate controls for each function.

Hydraulic lever controls allow for multiple functions to be performed at the same time.

DRIVE:

Full hydrostatic drive system powers all wheels.

WHEELS:

Front: qty. (4); Diameter: 10"; Width: 5"

Rear: qty. (2); Diameter: 10"; Width: 5"

Replaceable polyurethane composition

STEERING:

90 degree steering with electric over hydraulic, push button control.

FLOOR LOADING:

788 PSI with maximum load.

BOOM ROTATION:

220 degree slewing capability. Outriggers must be in the out and down position when slewing. Boom is locked from rotation when outriggers are not extended.

BOOM ANGLE RANGE:

-5 degrees to +74 degrees

BOOM LIFT CYLINDERS:

Dual cylinders capable of lifting and lowering with a full load. Integral safety holding valve.

BOOM TELESCOPE CYLINDER:

Single cylinder capable of telescoping the boom in and out with a full load. Integral safety holding valve.

WINCH:

High performance hydraulic winch. Integral, full load brake. 110' of 7/16" wire rope standard.

BLOCK:

10 ton single sheave block standard. w/ swivel hook.

POWER & MAIN BOOM LIFTING EYES:

Qty. (1) located on power boom and qty. (1) located on main boom each with 3 ton capacity.

WEIGHT:

16,346 lbs base unit + counterweights

11,622 lbs without counterweights

TIE DOWN EYES:

Tie down eyes installed for securing unit during transport of the unit.

ANTI-TWO-BLOCK DEVICE:

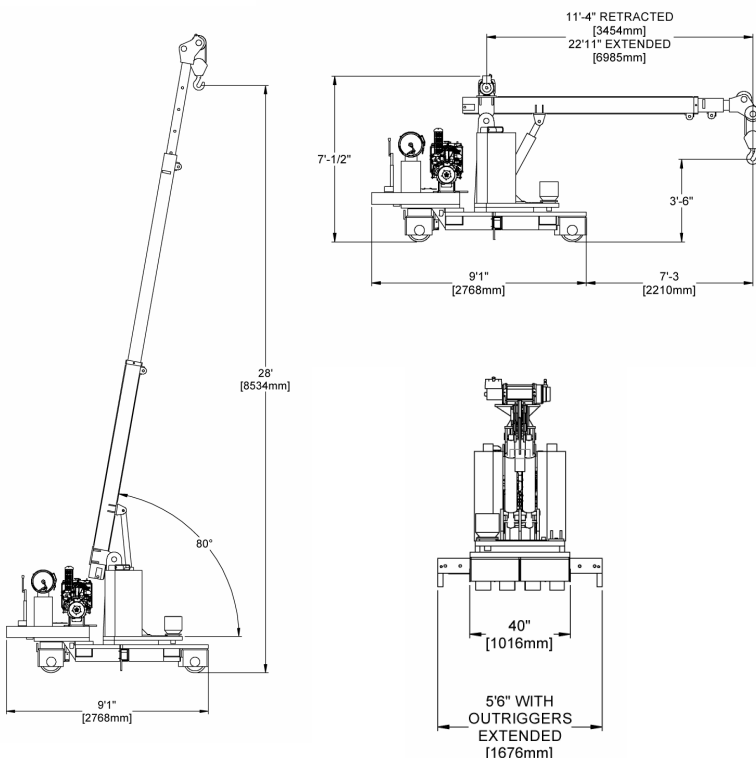
Safety device installed to prevent hook block from contacting boom.

OTHER STANDARD FEATURES:

Travel alarm, horn, and strobe light.

HYDRAULIC RESERVOIR:

15 gallons



OPTIONAL EQUIPMENT

RADIO REMOTE CONTROL:

Radio remote control allows full machine functionality from a wireless radio remote. Allows operator optimal view of load. Emergency safety shutdown switch is standard.

JIB EXTENSION:

Consult factory for available capacities and lengths.

LIFT SYSTEMS, INC.

OFFICE:

1505 - 7th Street
East Moline, IL 61244

MAILING ADDRESS:

P.O. Box 906
Moline, IL 61266

TEL:

+1-309-764-9842

FAX:

+1-309-764-9848

EMAIL:

liftit@lift-systems.com

WEB:

www.lift-systems.com

LIFT SYSTEMS INC. (Canada)

35 Longworth Lane
Woodstock, Ontario, N4V 1G6

TEL: +1-519-539-0213

EMAIL: liftsystems@on.aibn.com